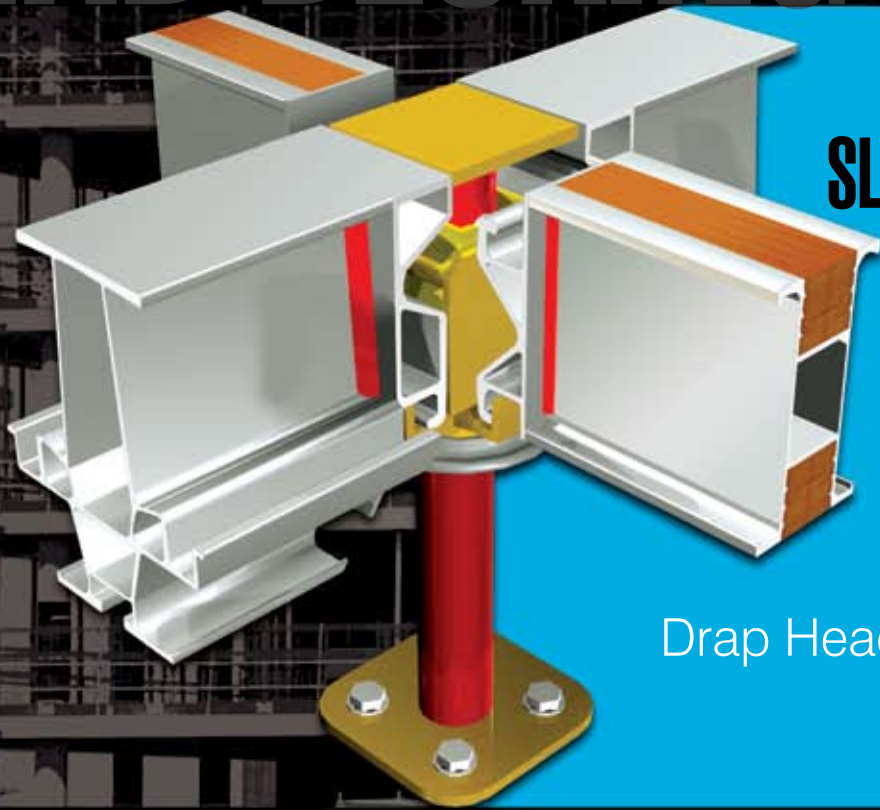


SLAB DECKING SYSTEM



SLAB DECKING SYSTEM

Primary & Secondary
Beam Junction

Drap Head Beam Panel Method

ELEGANT 65[®]

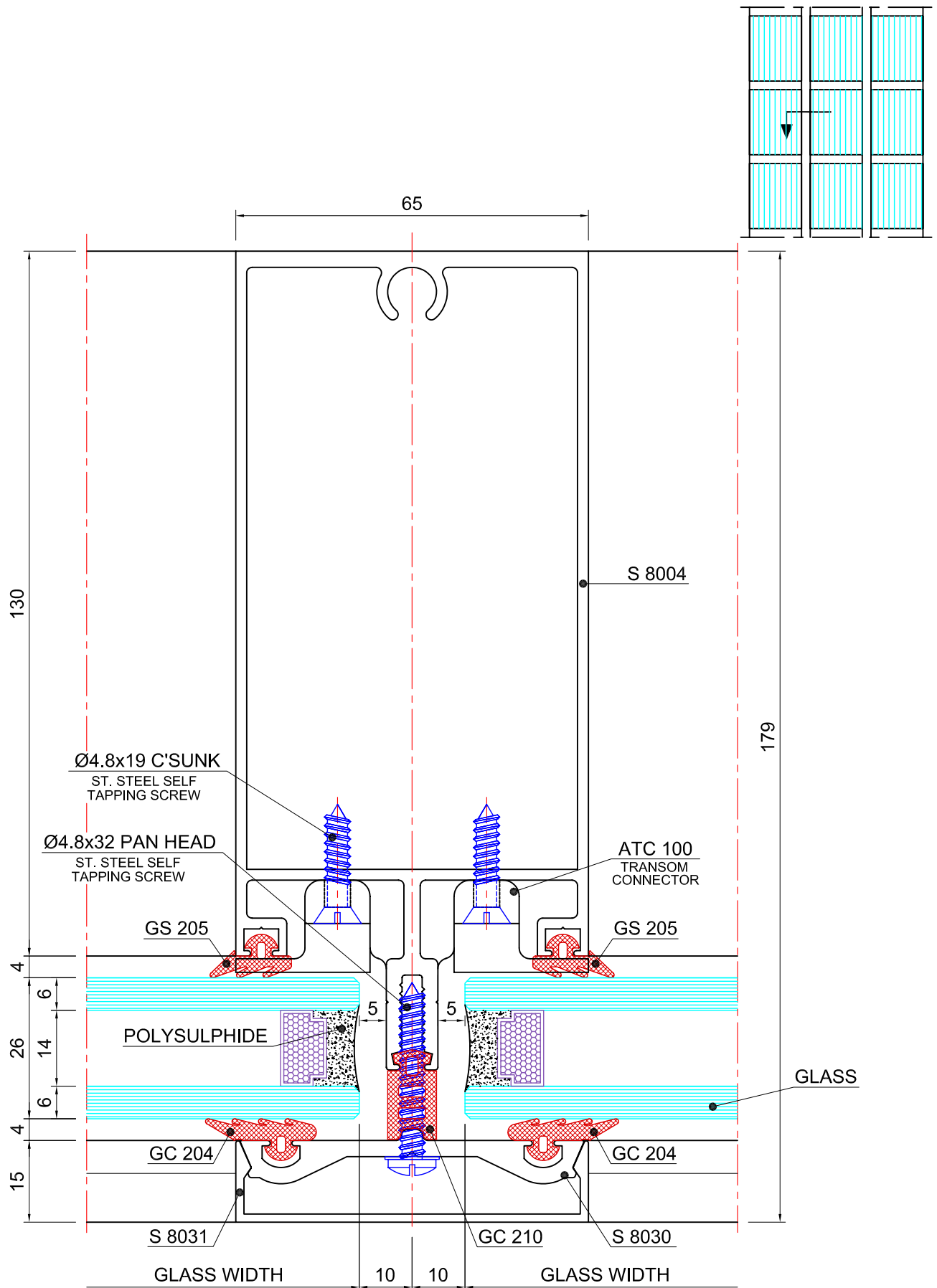
CONTENTS

PAGES

| | |
|--|----------|
| * Conventional Curtain Wall Mullion & Transom Details. | 01 - 25 |
| * Semi Structural Glazing (2 way) Mullion & Transom Details. | 26 - 32 |
| * Structural Glazing (4 way) Mullion & Transom Details. | 33 - 57 |
| * Thermal Break Conventional Curtain Wall Mullion & Transom Details. | 58 - 61 |
| * Thermal Break Semi Structural Glazing (2 way) Mullion & Transom Details. | 62 - 65 |
| * Thermal Break Structural Glazing (4 way) Mullion & Transom Details. | 66 - 75 |
| * Section (Profile) Drawings. | 76 - 91 |
| * Section's Moment of Inertia Details. | 92 - 96 |
| * Accessories - EPDM Gaskets, Thermal Break Barriers & Others. | 97 - 100 |

ELEGANT 65[®]

CW-100



CURTAIN WALL MULLION FIXED PANEL DETAIL



AUTHORISED EXTRUDER IN UAE.

M/s. **Elite Extrusion** LLC

P.O. Box : 31299, Ras Al Khaimah, UAE.

Tel : 00971-7-2447668, Fax : 00971-7-2447669, E mail : eliteext@eim.ae